



A Textron Company

SHOPEZGO.COM

The Official Online Store For E-Z-GO Genuine Parts & Accessories

INSTALLATION INSTRUCTIONS

TITLE FRONT BRUSH GUARD INSTALLATION

DRAWING NO. 613208

REV -

NOTICE

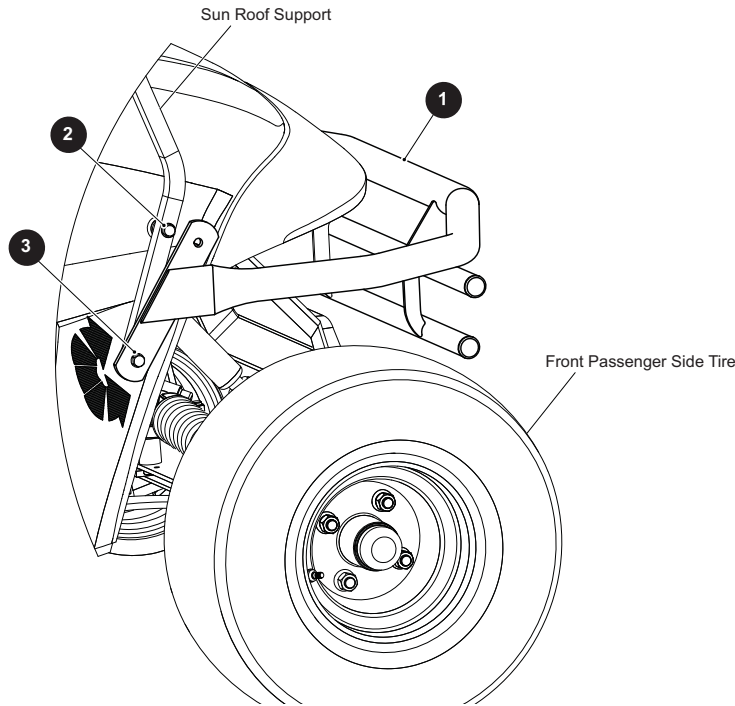
Read all of the following instructions before attempting installation.

Tool List	Qty.	Tool List	Qty.
Socket 1/2" ft lbs.....	1	Ratchet.....	1

WARNING

To avoid damage to the Vehicle and Front Brush Guards appearance, two people are necessary for Installation / Replacement of Front Brush Guard.

1. Turn key to "OFF" position and remove it from the switch. Make sure the parking brake is set.



2. For ease of Installation of Front Brush Guard (1) begin by removing the bottom bolts (3) on both sides. Align the Brush Guard (1) and install the bottom bolts (3). Do not secure the bolts now.
3. Remove the top bolts (2) on both sides. Align the Brush Guard (1) and install the top bolts (2). Once all the bolts are in place tighten the bolts to 17 - 19 ft. lbs.