

Liberty Enclosure Installation Instructions

10027221

READ ALL INSTRUCTIONS BEFORE INSTALLING THIS KIT

⚠ WARNING

Turn the key to the OFF position and remove it from the switch. Install wheel chocks in front and behind each wheel before starting installation procedure.

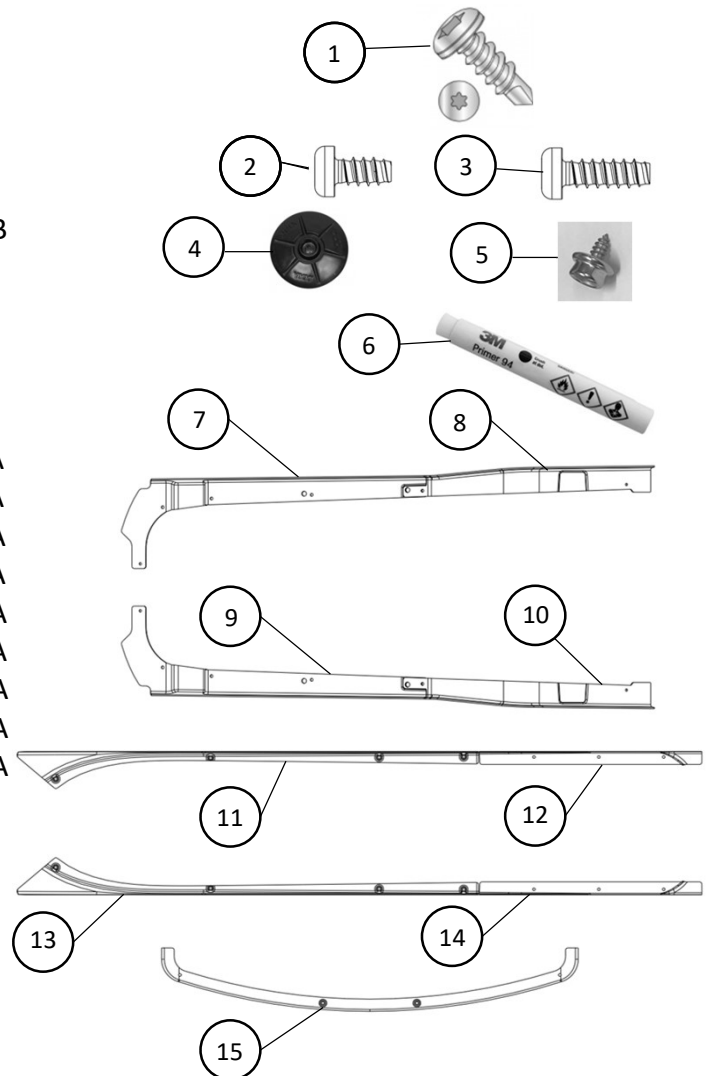
⚠ CAUTION

Always wear a safety shield or approved safety goggles when working on the vehicle

TOOLS: #1 Phillips head screwdriver
T-30 Torx Bit and drill motor
Torque wrench
10mm wrench

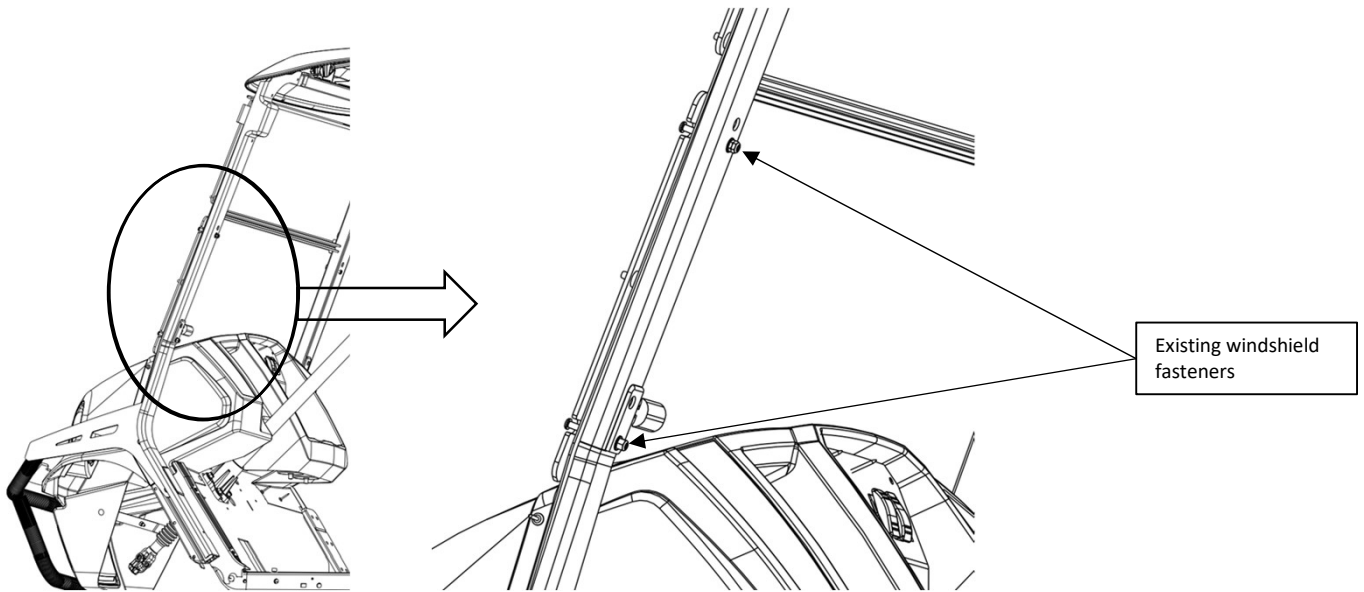
CONTENTS

ITEM	QTY	DESCRIPTION	PART NO
1	8	¼-14 Drill Point Screw	FIBT-250-750-B
2	2	M6X12 Plastite Screw	FMBT-06-12-P
3	14	M6X18 Plastite Screw	FMBT-06-18-P
4	2	YKK SNAD	XX
5	4	Snap	XX
6	1	Adhesive Primer	3M-4298
7	1	RH Upper Closeout	EZS4-30110-BA
8	1	RH Lower Closeout	EZS4-30105-BA
9	1	LH Upper Closeout	EZS4-30110-AA
10	1	LH Lower Closeout	EZS4-30105-AA
11	1	RH Front Rail	EZRX-30120-BA
12	1	RH Rear Rail	EZRX-30130-BA
13	1	LH Front Rail	EZRX-30120-AA
14	1	LH Rear Rail	EZRX-30130-AA
15	1	Cross Car Rail	EZRX-30140-AA

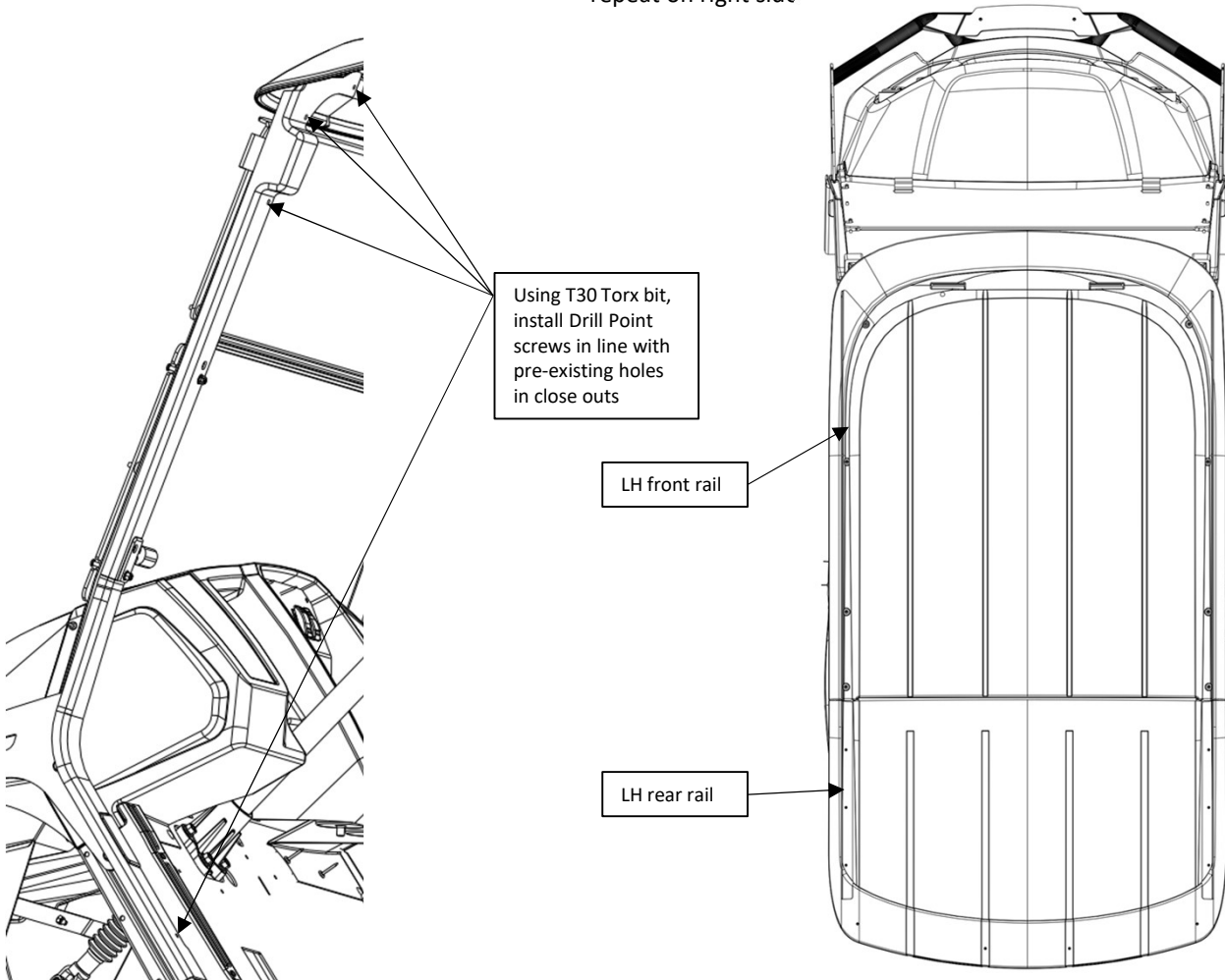


VEHICLE PREPARATION

1. Compare kit contents list to the parts packaged in the kit. Make sure all parts are included before beginning installation.
2. Park vehicle on a flat surface.
3. Turn the key to the OFF position and remove the key from the switch.
4. Chock wheels to keep vehicle from rolling.

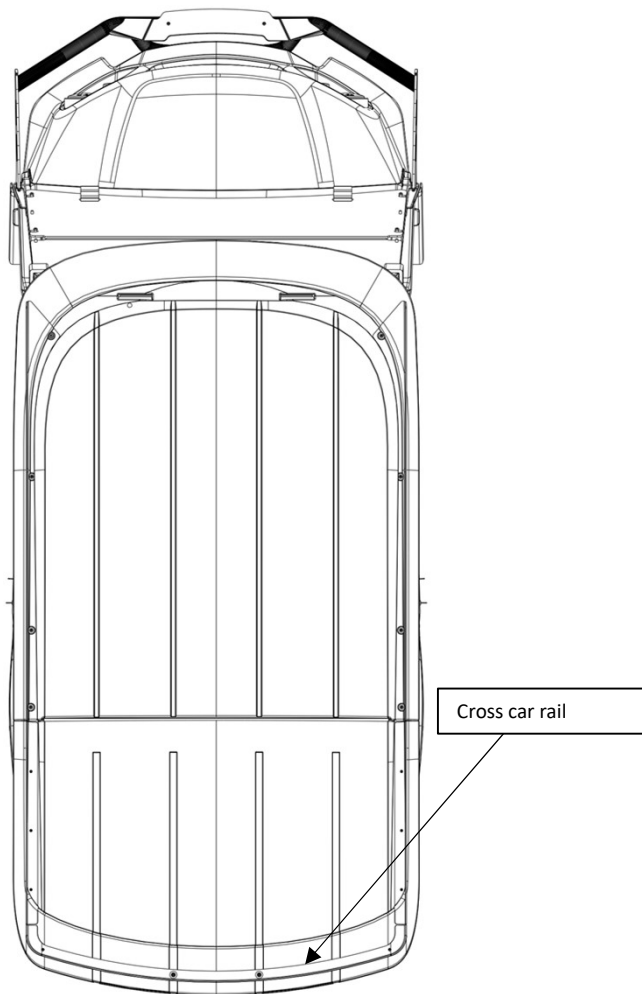


Step 1: Install LH upper and lower closeout using existing windshield bolts, torque to 10 In-lb, repeat on right side



Step 2: Using T30 Torx bit, install ¼-14 Drill Point screws (4x). Torque to 15 In-lb Repeat on right side

Step 3: Install LH front and LH rear rails. Using T30 Torx bit, drive M6X18 Plastite Screws (7x), torque to 8 in-lb. Repeat on right side



Step 4: Install cross car rail. Using T30 Torx bit, drive M6X12 Plastite Screws (4x), torque to 5 in-lb.



Step 5: Loosely install LH front side quarter panel to closeout. Repeat on right side



Step 6: Loosely install LH side panel to LH rails. Repeat on right side



Step 6: Align LH quarter panel with LH side panel to ensure zipper engagement, close zipper. Firmly install panels to rails and closeout. Repeat on right side



Step 7: Install rear panel to cross car rail, engage zippers, close zippers



Step 8: Install self tapping snaps in line with gutter flap. Close snaps to secure gutter to canopy



Step 9: Clean rocker panel, apply 3M primer to rocker panel, assemble male snap to fabric as shown, remove backing paper, press snap against rocker panel and apply pressure for 30 seconds. Leave snapped for 1 hour, repeat on right side.



For features and care videos, please visit clubpro.com/downloads/