



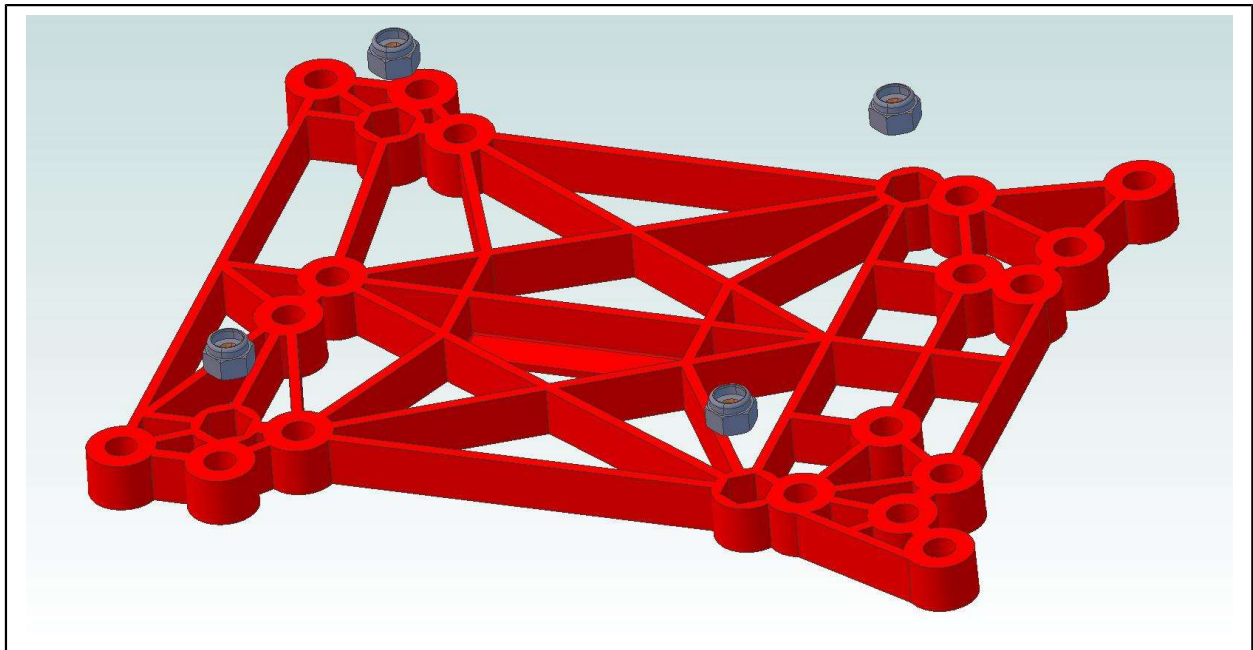
YAMAHA Mounting Adapter for Alltrax TOMCAT XCT controller

File: DOC113-009-C_YAMAHA Mounting Adapter Install on EC-07-14-2016
ALLTRAX PN: KIT-UNIV-MNT-YAMAHA (for G19, G22, GMAX, and YDRE)

The XCT adapter provides a simple solution to mount the Alltrax XCT products without drilling holes or hardware. Hardware enclosed includes the ABS+PC plastic adapter, metric flat head surface mount bolts (3) and the 4x bolts, nuts, and washers to mount the controller.

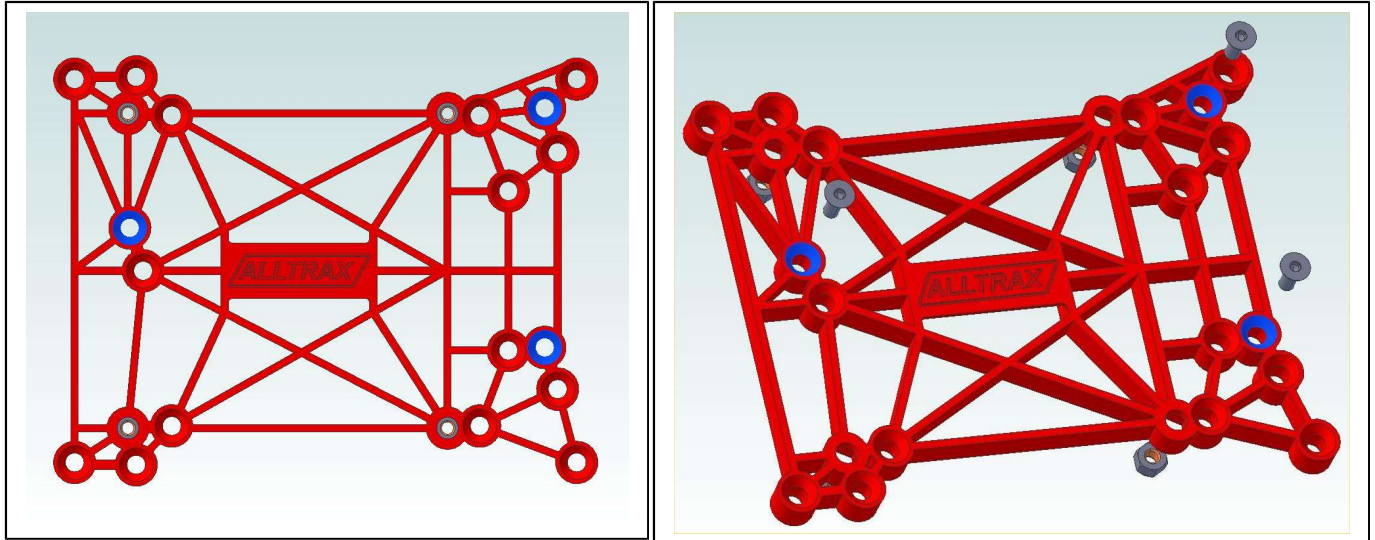
Steps:

1. Disconnect positive battery terminal.
2. Using the supplied ring terminals, replace the field coil fast one terminals for the smaller 10AWG wires (BLK and GREEN) wires to the ¼" ring terminals. Crimp using the appropriate crimper to ensure a solid connection.
3. Remove the old controller from the cart (retain all hardware if you wish to return the cart to OEM)
4. Insert the 4 HEX NUTS (1/4-20 nuts) into the adapter as shown. The nuts are on the BACK SIDE of the mounting adapter plate. The Nyloc plastic faces out, press them flush with the surface. If the nuts are loose, use scotch tape to hold them in place. (Some hardware is tight, some may be loose...)

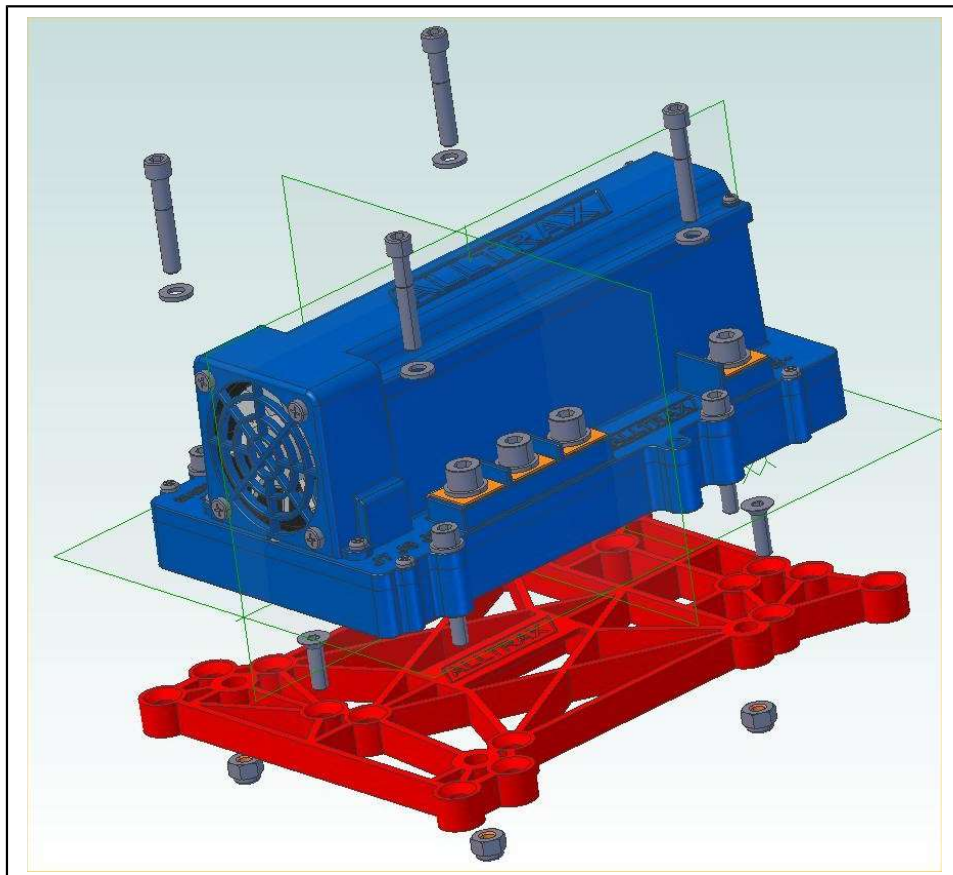


5. Install the adapter plate onto the golf cart mounting plate with the 4x NUTS "against the carts mounting plate". The 4X controller bolts holding the controller go "through the adapter" into the nuts on the back side.

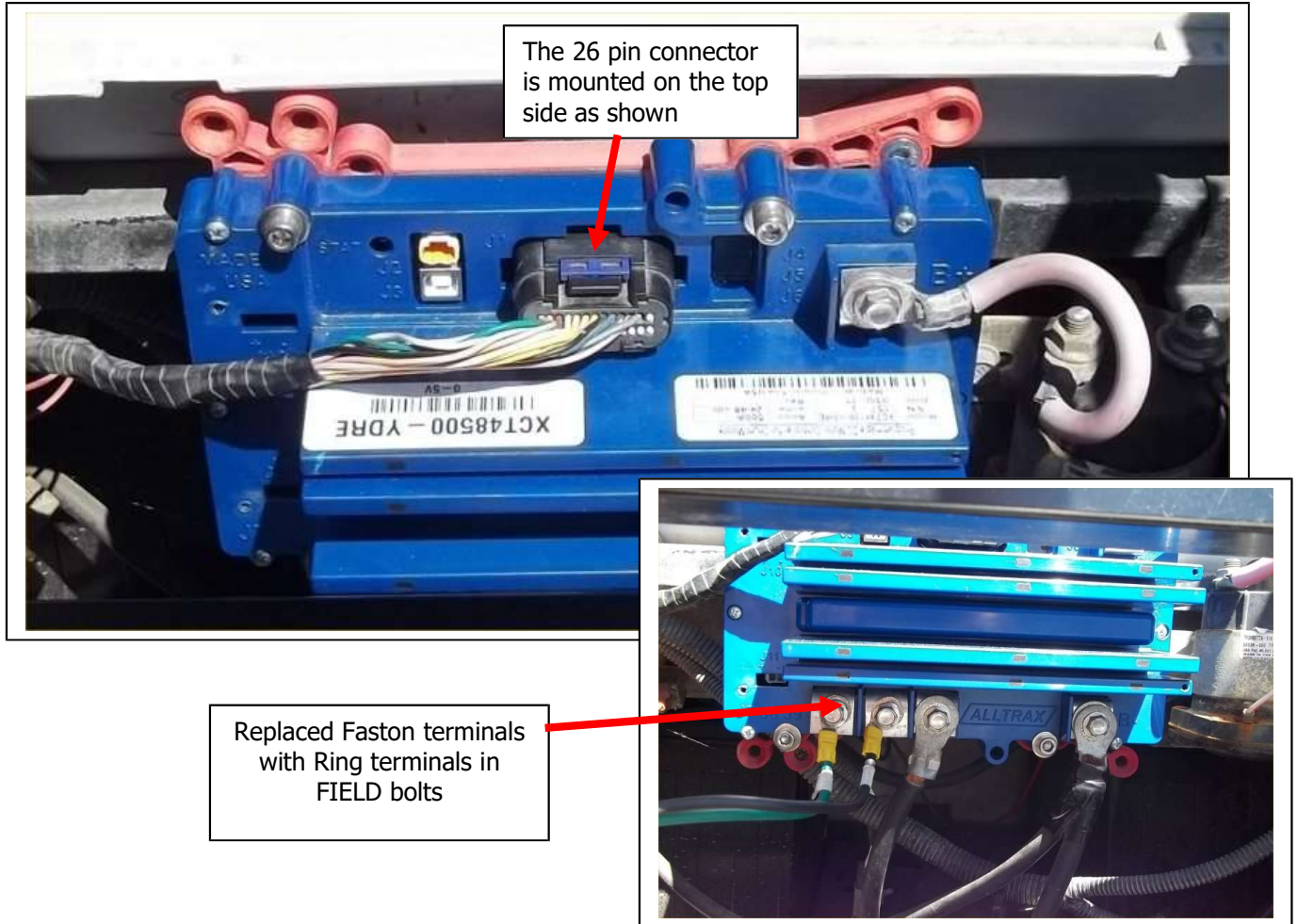
6. **USE Petroleum GREASE on the 3X socket head cap screws threads to prevent binding** (i.e. counter sunk screws). The ALLTRAX LOGO will be facing you upside down shown below. Install and tighten the 3x METRIC 6mm FLAT HEAD cap screws. Do not over tighten.



7. **USE Petroleum GREASE on the 4X socket head cap bolt threads to prevent binding.** Mount the controller to the plate with the 4 mounting bolts, use the supplied small diameter flat washers on the bolts to protect the plastic controllers mount lugs. Do not over tighten bolts.



Continued:



8. Connect the wiring as shown. It may be necessary to cut the cable ties holding the YDRE wire harness to fit the new plug location and main terminal locations. Add zip ties as necessary to prevent wiring chaffing.

Terminal	Wire Color	Function
B+	ORN/RED	Battery Positive
B-	BLK 2-wires	Motor Minus and Battery Minus
J9, M-	WHT	Motor Positive
J8, F2	BLK-10AWG	FIELD coil
J7, F1	GRN-10AWG	Field coil

Note: If the cart goes in the opposite direction it suppose to (i.e. it drives in reverse with switch in forward) then reverse F1 and F2 field coil wires.

Author: Tony Thorne, Engineering, Alltrax Inc.

Rev C on EC-07-14-2016 to swap F1 and F2 as shown in picture above, and include G19, G22 instructions.